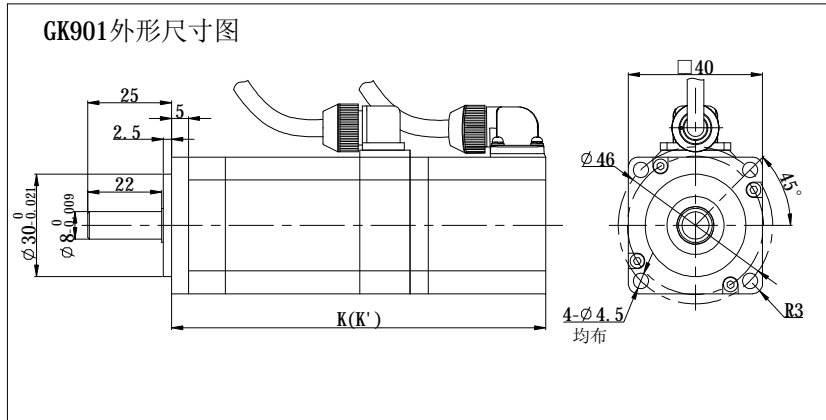
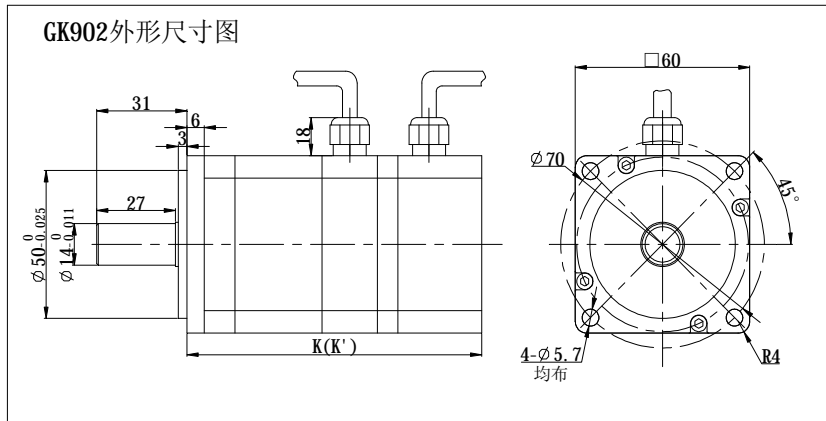


伺服电机外形尺寸图



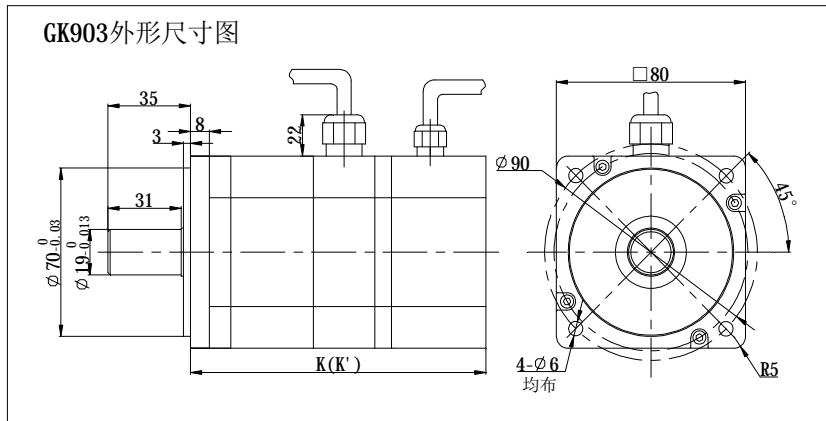
型号	K(mm)	K'(mm) (带制动器)
GK9013	81.5	108
GK9015	96.5	123
GK9016	111.5	138

注：选用薄型编码器时机身总长为K(K')-16



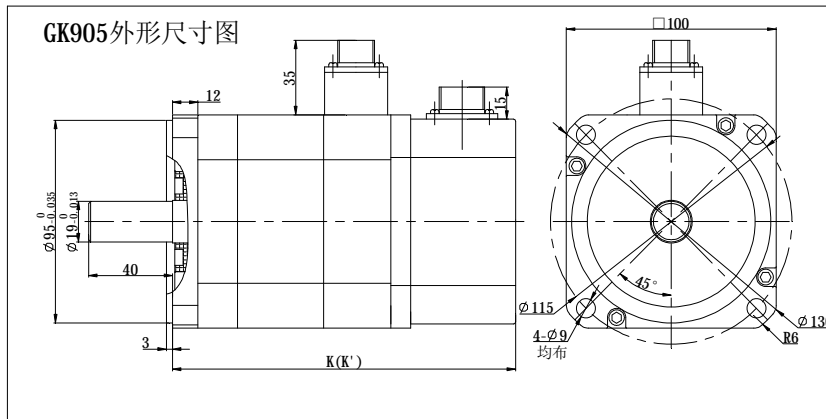
型号	K(mm)	K'(mm) (带制动器)
GK9020	90.5	112.5
GK9023	97.5	119.5
GK9025	112.5	134.5
GK9026	122.5	144.5
GK9027	127.5	149.5

注：选用薄型编码器时机身总长为K(K')-21



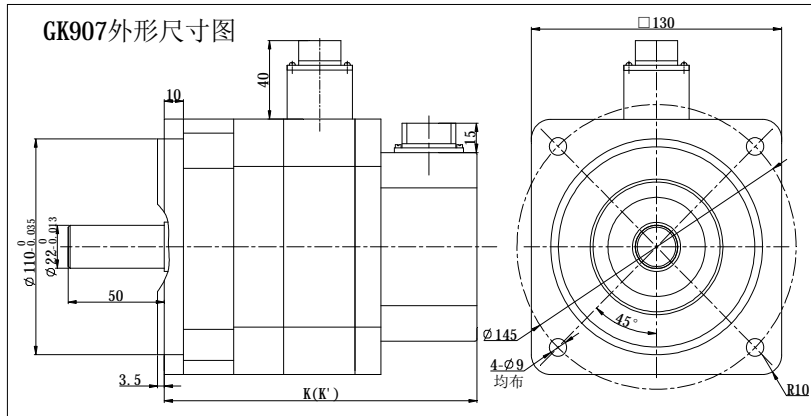
型号	K(mm)	K'(mm) (带制动器)
GK9030	105	136
GK9031	120	151
GK9032	130	161
GK9033	150	181

注：选用薄型编码器时机身总长为K(K')-21



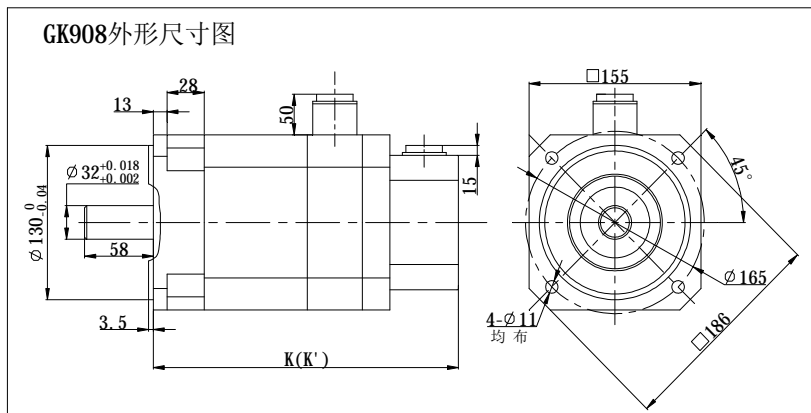
型号	K(mm)	K'(mm) (带制动器)
GK9051	153.5	153.5
GK9053	173.5	214
GK9055	188.5	229
GK9057	208.5	249
GK9059	228.5	269

注：选用薄型编码器时机身总长为K(K')-24



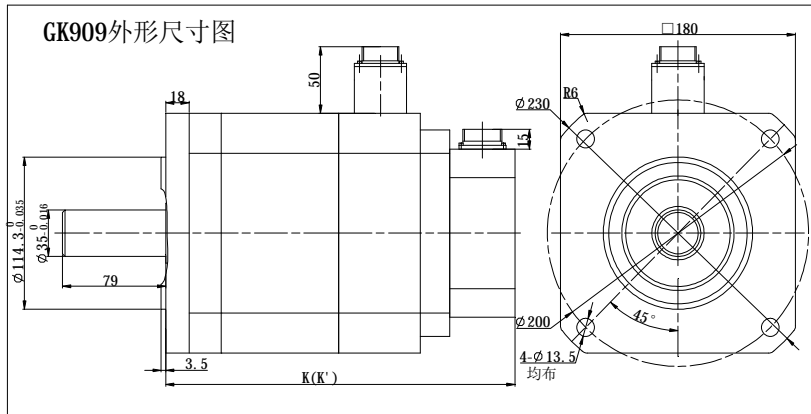
型号	K(mm)	K'(mm) (带制动器)
GK9070	157.5	162.5
GK9071	162.5	167.5
GK9072	177.5	182.5
GK9073	192.5	229.5
GK9074	207.5	244.5
GK9075	222.5	259.5

注：选用薄型编码器时机身总长为 $K(K')$ -24



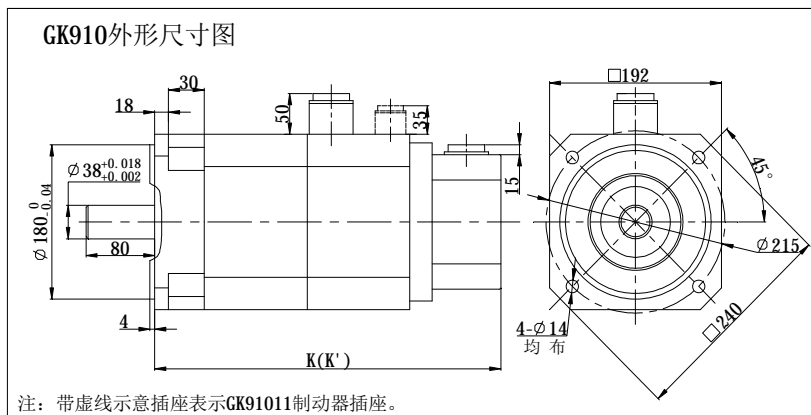
型号	K(mm)	K'(mm) (带制动器)
GK9080	216.5	216.5
GK9081	236.5	236.5
GK9083	256.5	256.5
GK9085	276.5	327.5
GK9087	296.5	347.5
GK9089	316.5	367.5

注：选用薄型编码器时机身总长为 $K(K')$ -24



型号	K(mm)	K'(mm) (带制动器)
GK9090	197.5	197.5
GK9091	212.5	212.5
GK9093	237.5	285.5
GK9095	257.5	305.5
GK9097	292.5	345

注：选用薄型编码器时机身总长为 $K(K')$ -24



注：带虚线示意插座表示GK91011制动器插座。

型号	K(mm)	K'(mm) (带制动器)
GK9100	210.5	210.5
GK9101	220.5	220.5
GK9103	235.5	235.5
GK9105	270.5	280
GK9107	290.5	300
GK9109	320.5	330
GK91011	360.5	400.5

注：选用薄型编码器时机身总长为 $K(K')$ -24



标准技术数据（与 3 相 220V 输入驱动器匹配）

电机型号	额定扭矩 M_N	最大扭矩 M_{max}	额定电流 I_N	最大电流 I_{max}	频率 f_n	转矩常数 K_t	额定转速 n_N	峰值转速 n_{max}	功率 P_N	电压常数 K_e	转动惯量 J
Type	(Nm)	(Nm)	(A)	(A)	(Hz)	(Nm/A)	(rpm)	(rpm)	(KW)	(V/krpm)	($10^{-4}Kg\cdot m^2$)
R-GK9070-10AE31	5	15	4.1	12.3	83.3	1.22	1000	2000	0.5	90	5.8
R-GK9071-10AE31	6.3	18.9	5.2	15.6	83.3	1.21	1000	2000	0.7	90	6.9
R-GK9072-10AE31	9.9	29.7	8.1	24.3	83.3	1.22	1000	2000	1.0	90	10.1
R-GK9073-10AE31	13.5	40.5	11.1	33.3	83.3	1.22	1000	2000	1.4	90	13.4
R-GK9074-10AE31	16.2	48.6	13.2	39.6	83.3	1.23	1000	2000	1.7	90	16.6
R-GK9075-10AE31	19.8	59.4	16.1	48.3	83.3	1.23	1000	2000	2.1	90	19.8
R-GK9090-10AE31	11.3	33.9	9.3	27.9	83.3	1.22	1000	2000	1.2	90	31.4
R-GK9091-10AE31	19.8	59.4	16.2	48.6	83.3	1.22	1000	2000	2.1	90	47.0
R-GK9093-10AE31	30.6	91.8	25.1	75.3	83.3	1.22	1000	2000	3.2	90	72.9
R-GK9095-10AE31	36.9	110.7	30.4	91.2	83.3	1.21	1000	2000	3.9	90	93.6
R-GK9097-10AE31	50.4	151.2	41.4	124.2	83.3	1.22	1000	2000	5.3	90	129.9
R-GK9051-10AB31	3.2	9.6	4.5	13.5	125	0.71	1500	3000	0.5	60	2.8
R-GK9053-10AB31	4.9	14.7	6.82	20.46	125	0.72	1500	3000	0.77	60	4.3
R-GK9055-10AB31	6.4	19.2	8.9	26.7	125	0.72	1500	3000	1.0	60	5.4
R-GK9057-10AB31	8	24	11.14	33.42	125	0.72	1500	3000	1.3	60	6.9
R-GK9059-10AB31	9.6	28.8	13.4	40.2	125	0.72	1500	3000	1.5	60	8.4
R-GK9070-10AB31	4.8	14.4	5.9	17.7	125	0.81	1500	3000	0.75	60	5.8
R-GK9071-10AB31	6.4	19.2	7.9	23.7	125	0.81	1500	3000	1	60	6.9
R-GK9072-10AB31	9.6	28.8	11.5	34.5	125	0.83	1500	3000	1.5	60	10.1
R-GK9073-10AB31	12.7	38.1	15.5	46.5	125	0.82	1500	3000	2	60	13.4
R-GK9074-10AB31	15.9	47.7	19.5	58.5	125	0.82	1500	3000	2.5	60	16.6
R-GK9075-10AB31	19.1	57.3	23.6	70.8	125	0.81	1500	3000	3	60	19.8
R-GK9090-10AB31	10.6	31.8	12.8	38.4	125	0.83	1500	3000	1.7	60	31.4
R-GK9091-10AB31	18.6	55.8	22.7	68.1	125	0.82	1500	3000	2.9	60	47.0
R-GK9093-10AB31	28.4	85.2	34.4	103.2	125	0.83	1500	3000	4.5	60	72.9
R-GK9095-10AB31	35	105	42.3	126.9	125	0.83	1500	3000	5.5	60	93.6
R-GK9097-10AB31	48	144	58	174	125	0.83	1500	3000	7.5	60	129.9
R-GK9100-10AB31	15.3	45.9	20.7	62.1	125	0.74	1500	3000	2.4	60	72.1
R-GK9101-10AB31	23	69	31.4	94.2	125	0.73	1500	3000	3.6	60	88.2
R-GK9103-10AB31	30.6	91.8	41.7	125.1	125	0.73	1500	3000	4.8	60	112.3
R-GK9105-10AB31	38.2	114.6	52.1	156.3	125	0.73	1500	3000	6.0	60	168.6
R-GK9107-10AB31	46.7	140.1	63.6	190.8	125	0.73	1500	3000	7.3	60	200.7
R-GK9109-10AB31	59.5	178.5	81	243	125	0.73	1500	3000	9.3	60	249.1
R-GK91011-10AB31	76.5	229.5	104.2	312.6	125	0.73	1500	3000	12.0	60	313.3
R-GK9051-10AC31	3	9.6	5.67	18.1	166.7	0.53	2000	4000	0.6	45	2.8
R-GK9053-10AC31	4.8	14.7	9.1	27.9	166.7	0.53	2000	4000	1.0	45	4.3
R-GK9055-10AC31	6	19.2	11.3	36.2	166.7	0.53	2000	4000	1.3	45	5.4



登奇机电

电机型号	额定扭矩 M_N	最大扭矩 M_{max}	额定电流 I_N	最大电流 I_{max}	频率 f_N	转矩常数 K_t	额定转速 n_N	峰值转速 n_{max}	功率 P_N	电压常数 K_e	转动惯量 J
Type	(Nm)	(Nm)	(A)	(A)	(Hz)	(Nm/A)	(rpm)	(rpm)	(KW)	(V/krpm)	($10^{-4}Kgm^2$)
R-GK9057-10AC31	7.5	24	14.2	45.4	166.7	0.53	2000	4000	1.6	45	6.9
R-GK9059-10AC31	9	28.8	17	54.4	166.7	0.53	2000	4000	1.9	45	8.4
R-GK9070-10AC31	4.5	14.4	7.6	24.3	166.7	0.59	2000	4000	0.9	45	5.8
R-GK9071-10AC31	5.6	19.2	9.3	31.9	166.7	0.60	2000	4000	1.2	45	6.9
R-GK9072-10AC31	8.8	28.8	14.4	47.1	166.7	0.61	2000	4000	1.8	45	10.1
R-GK9073-10AC31	12	38.1	19.6	62.2	166.7	0.61	2000	4000	2.5	45	13.4
R-GK9074-10AC31	14.4	47.7	23.4	77.5	166.7	0.62	2000	4000	3.0	45	16.6
R-GK9075-10AC31	17.6	57.3	28.5	92.8	166.7	0.62	2000	4000	3.7	45	19.8
R-GK9080-10AC31	12.8	40.8	23	73.3	166.7	0.56	2000	4000	2.7	45	21.8
R-GK9081-10AC31	16.8	53.6	30.3	96.7	166.7	0.55	2000	4000	3.5	45	29.0
R-GK9083-10AC31	21.6	69	38.9	124.3	166.7	0.56	2000	4000	4.5	45	36.1
R-GK9085-10AC31	26.4	84	47.6	151.5	166.7	0.55	2000	4000	5.5	45	43.3
R-GK9087-10AC31	29.6	94.5	53.3	170.2	166.7	0.56	2000	4000	6.2	45	50.5
R-GK9089-10AC31	33.6	107.1	60.5	192.8	166.7	0.56	2000	4000	7.0	45	57.6
R-GK9090-10AC31	8.8	31.8	14.4	52.0	166.7	0.61	2000	4000	1.8	45	31.4
R-GK9091-10AC31	15.4	55.8	25.3	91.7	166.7	0.61	2000	4000	3.2	45	47.0
R-GK9093-10AC31	23.9	85.2	39.3	140.1	166.7	0.61	2000	4000	5.0	45	72.9
R-GK9095-10AC31	28.7	105	47.2	172.7	166.7	0.61	2000	4000	6.0	45	93.6
R-GK9097-10AC31	39.2	144	64.4	236.6	166.7	0.61	2000	4000	8.2	45	129.9
R-GK9100-10AC31	14.4	45.9	26.3	83.8	166.7	0.55	2000	4000	3.0	45	72.1
R-GK9101-10AC31	21.6	69	39.5	126.2	166.7	0.55	2000	4000	4.5	45	88.2
R-GK9103-10AC31	28.8	91.8	52.7	168.0	166.7	0.55	2000	4000	6.0	45	112.3
R-GK9105-10AC31	36	114.6	65.8	209.5	166.7	0.55	2000	4000	7.5	45	168.6
R-GK9107-10AC31	44	140.1	80.5	256.3	166.7	0.55	2000	4000	9.2	45	200.7
R-GK9109-10AC31	56	178.5	102.4	326.4	166.7	0.55	2000	4000	11.7	45	249.1
R-GK91011-10AC31	72	229.5	131.7	419.8	166.7	0.55	2000	4000	15.1	45	313.3
R-GK9013-10AF31	0.16	0.48	0.78	2.34	250	0.21	3000	6000	0.05	13.3	0.03
R-GK9015-10AF31	0.32	0.96	1.03	3.09	250	0.31	3000	6000	0.10	20	0.062
R-GK9016-10AF31	0.48	1.44	1.55	4.65	250	0.31	3000	6000	0.15	20	0.097
R-GK9023-10AF31	0.64	1.92	1.6	4.8	250	0.40	3000	6000	0.20	20	0.26
R-GK9025-10AF31	1.27	3.81	3.3	9.9	250	0.38	3000	6000	0.40	20	0.45
R-GK9026-10AF31	1.6	4.8	4.1	12.3	250	0.39	3000	6000	0.50	20	0.58
R-GK9027-10AF31	1.91	5.73	4.9	14.7	250	0.39	3000	6000	0.60	20	0.64
R-GK9030-10AF31	1.27	3.81	2.7	8.1	250	0.47	3000	6000	0.40	30	0.74
R-GK9031-10AF31	2.4	7.2	5.1	15.3	250	0.47	3000	6000	0.75	30	1.29
R-GK9032-10AF31	3.2	9.6	6.8	20.4	250	0.47	3000	6000	1.0	30	1.66
R-GK9033-10AF31	4.8	14.4	10.2	30.6	250	0.47	3000	6000	1.5	30	2.4
R-GK9051-10AF31	2.4	9.6	5.5	22.0	250	0.44	3000	5000	0.75	36	2.8
R-GK9053-10AF31	3.8	14.7	8.8	34.0	250	0.43	3000	5000	1.2	36	4.3



登奇机电

电机型号	额定扭矩 M_N	最大扭矩 M_{max}	额定电流 I_N	最大电流 I_{max}	频率 f_n	转矩常数 K_t	额定转速 n_N	峰值转速 n_{max}	功率 P_N	电压常数 K_e	转动惯量 J
Type	(Nm)	(Nm)	(A)	(A)	(Hz)	(Nm/A)	(rpm)	(rpm)	(KW)	(V/krpm)	($10^{-4}Kg\cdot m^2$)
R-GK9055-10AF31	4.8	19.2	11.2	44.8	250	0.43	3000	5000	1.5	36	5.4
R-GK9057-10AF31	6.4	24	14.8	55.5	250	0.43	3000	5000	2.0	36	6.9
R-GK9059-10AF31	8	28.8	18.6	67.0	250	0.43	3000	5000	2.5	36	8.4
R-GK9070-10AF31	2.4	14.4	4.9	29.4	250	0.49	3000	5000	0.75	36	5.8
R-GK9071-10AF31	3.2	19.2	6.6	39.6	250	0.48	3000	5000	1.0	36	6.9
R-GK9072-10AF31	4.8	28.8	9.8	58.8	250	0.49	3000	5000	1.5	36	10.1
R-GK9073-10AF31	6.4	38.1	13.3	79.2	250	0.48	3000	5000	2.0	36	13.4
R-GK9074-10AF31	8	47.7	16.3	97.2	250	0.49	3000	5000	2.5	36	16.6
R-GK9075-10AF31	9.6	57.3	19.7	117.6	250	0.49	3000	5000	3.0	36	19.8
R-GK9080-10AF31	11.2	40.8	22.7	82.7	250	0.49	3000	4500	3.5	40	21.8
R-GK9081-10AF31	14.7	53.6	29.8	108.7	250	0.49	3000	4500	4.6	40	29.0
R-GK9083-10AF31	18.9	69	38.4	140.2	250	0.49	3000	4500	5.9	40	36.1
R-GK9085-10AF31	23.1	84	46.9	170.5	250	0.49	3000	4500	7.3	40	43.3
R-GK9087-10AF31	25.9	94.5	52.6	191.9	250	0.49	3000	4500	8.1	40	50.5
R-GK9089-10AF31	29.4	107.1	59.7	217.5	250	0.49	3000	4500	9.2	40	57.6
R-GK9090-10AF31	8.8	31.8	16.1	58.2	250	0.55	3000	4500	2.8	40	31.4
R-GK9091-10AF31	15.4	55.8	28.2	102.2	250	0.55	3000	4500	4.8	40	47.0
R-GK9093-10AF31	23.8	85.2	44	157.5	250	0.54	3000	4500	7.5	40	72.9
R-GK9095-10AF31	28.7	105	52.9	193.5	250	0.54	3000	4500	9.0	40	93.6
R-GK9097-10AF31	39.2	144	72.3	265.6	250	0.54	3000	4500	12.3	40	129.9
R-GK9100-10AF31	12.6	45.9	25.9	94.4	250	0.49	3000	4500	4.0	40	72.1
R-GK9101-10AF31	18.9	69	38.8	141.7	250	0.49	3000	4500	5.9	40	88.2
R-GK9103-10AF31	25.2	91.8	51.7	188.3	250	0.49	3000	4500	7.9	40	112.3
R-GK9105-10AF31	31.5	114.6	64.7	235.4	250	0.49	3000	4500	9.9	40	168.6
R-GK9107-10AF31	38.5	140.1	79	287.5	250	0.49	3000	4500	12.1	40	200.7
R-GK9109-10AF31	49	178.5	100.6	366.5	250	0.49	3000	4500	15.4	40	249.1
R-GK91011-10AF31	63	229.5	129.3	471.0	250	0.49	3000	4500	19.8	40	313.3



标准技术数据（与 3 相 380V 输入驱动器匹配）

电机型号	额定扭矩 M_N	最大扭矩 M_{max}	额定电流 I_N	最大电流 I_{max}	频率 f_n	转矩常数 K_t	额定转速 n_n	峰值转速 n_{max}	功率 P_N	电压常数 K_e	转动惯量 J
Type	(Nm)	(Nm)	(A)	(A)	(Hz)	(Nm/A)	(rpm)	(rpm)	(KW)	(V/krpm)	($10^{-4}Kgm^2$)
R-GK9070-10AE61	5	15	2.2	6.6	83.3	2.27	1000	2000	0.5	170	5.8
R-GK9071-10AE61	6.3	18.9	2.76	8.3	83.3	2.28	1000	2000	0.7	170	6.9
R-GK9072-10AE61	9.9	29.7	4.3	12.9	83.3	2.30	1000	2000	1.0	170	10.1
R-GK9073-10AE61	13.5	40.5	5.9	17.7	83.3	2.29	1000	2000	1.4	170	13.4
R-GK9074-10AE61	16.2	48.6	7	21.0	83.3	2.31	1000	2000	1.7	170	16.6
R-GK9075-10AE61	19.8	59.4	8.5	25.5	83.3	2.33	1000	2000	2.1	170	19.8
R-GK9090-10AE61	11.3	33.9	4.9	14.7	83.3	2.31	1000	2000	1.2	170	31.4
R-GK9091-10AE61	19.8	59.4	8.6	25.8	83.3	2.30	1000	2000	2.1	170	47.0
R-GK9093-10AE61	30.6	91.8	13.3	39.9	83.3	2.30	1000	2000	3.2	170	72.9
R-GK9095-10AE61	36.9	110.7	16.1	48.3	83.3	2.29	1000	2000	3.9	170	93.6
R-GK9097-10AE61	50.4	151.2	21.9	65.7	83.3	2.30	1000	2000	5.3	170	129.9
R-GK9051-10AB61	3.2	9.6	2.4	7.2	125	1.33	1500	3000	0.5	113	2.8
R-GK9053-10AB61	4.9	14.7	3.6	10.8	125	1.36	1500	3000	0.77	113	4.3
R-GK9055-10AB61	6.4	19.2	4.7	14.1	125	1.36	1500	3000	1	113	5.4
R-GK9057-10AB61	8	24	5.9	17.7	125	1.36	1500	3000	1.3	113	6.9
R-GK9059-10AB61	9.6	28.8	7.1	21.3	125	1.35	1500	3000	1.5	113	8.4
R-GK9070-10AB61	4.8	14.4	3.1	9.3	125	1.55	1500	3000	0.75	113	5.8
R-GK9071-10AB61	6.4	19.2	4.2	12.6	125	1.52	1500	3000	1	113	6.9
R-GK9072-10AB61	9.6	28.8	6.1	18.3	125	1.57	1500	3000	1.5	113	10.1
R-GK9073-10AB61	12.7	38.1	8.2	24.6	125	1.55	1500	3000	2	113	13.4
R-GK9074-10AB61	15.9	47.7	10.3	30.9	125	1.54	1500	3000	2.5	113	16.6
R-GK9075-10AB61	19.1	57.3	12.5	37.5	125	1.53	1500	3000	3	113	19.8
R-GK9090-10AB61	10.6	31.8	6.8	20.4	125	1.56	1500	3000	1.7	113	31.4
R-GK9091-10AB61	18.6	55.8	12	36	125	1.55	1500	3000	2.9	113	47.0
R-GK9093-10AB61	28.4	85.2	18.2	54.6	125	1.56	1500	3000	4.5	113	72.9
R-GK9095-10AB61	35	105	22.4	67.2	125	1.56	1500	3000	5.5	113	93.6
R-GK9097-10AB61	48	144	30.7	92.1	125	1.56	1500	3000	7.5	113	129.9
R-GK9100-10AB61	15.3	45.9	11	33	125	1.39	1500	3000	2.4	113	72.1
R-GK9101-10AB61	23	69	16.6	49.8	125	1.39	1500	3000	3.6	113	88.2
R-GK9103-10AB61	30.6	91.8	22	66	125	1.39	1500	3000	4.8	113	112.3
R-GK9105-10AB61	38.2	114.6	27.6	82.8	125	1.38	1500	3000	6.0	113	168.6
R-GK9107-10AB61	46.7	140.1	33.7	101.1	125	1.39	1500	3000	7.3	113	200.7
R-GK9109-10AB61	59.5	178.5	42.9	128.7	125	1.39	1500	3000	9.3	113	249.1
R-GK91011-10AB61	76.5	229.5	55.2	165.6	125	1.39	1500	3000	12.0	113	313.3
R-GK9051-10AC61	3	9.6	3	9.6	166.7	1	2000	4000	0.6	85	2.8
R-GK9053-10AC61	4.8	14.7	4.8	14.7	166.7	1	2000	4000	1.0	85	4.3



登奇机电

电机型号	额定扭矩 M_N	最大扭矩 M_{max}	额定电流 I_N	最大电流 I_{max}	频率 f_n	转矩常数 K_t	额定转速 n_N	峰值转速 n_{max}	功率 P_N	电压常数 K_E	转动惯量 J
Type	(Nm)	(Nm)	(A)	(A)	(Hz)	(Nm/A)	(rpm)	(rpm)	(KW)	(V/krpm)	(10^{-4}kgm^2)
R-GK9055-10AC61	6	19.2	6	19.2	166.7	1	2000	4000	1.3	85	5.4
R-GK9057-10AC61	7.5	24	7.5	24.0	166.7	1	2000	4000	1.6	85	6.9
R-GK9059-10AC61	9	28.8	9	28.8	166.7	1	2000	4000	1.9	85	8.4
R-GK9070-10AC61	4.5	14.4	4	12.8	166.7	1.13	2000	4000	0.94	85	5.8
R-GK9071-10AC61	5.6	19.2	4.9	16.8	166.7	1.14	2000	4000	1.2	85	6.9
R-GK9072-10AC61	8.8	28.8	7.6	24.9	166.7	1.16	2000	4000	1.8	85	10.1
R-GK9073-10AC61	12	38.1	10.4	33.0	166.7	1.15	2000	4000	2.5	85	13.4
R-GK9074-10AC61	14.4	47.7	12.4	41.1	166.7	1.16	2000	4000	3.0	85	16.6
R-GK9075-10AC61	17.6	57.3	15.1	49.2	166.7	1.17	2000	4000	3.7	85	19.8
R-GK9080-10AC61	12.8	40.8	12.2	38.9	166.7	1.05	2000	4000	2.7	85	21.8
R-GK9081-10AC61	16.8	53.6	16	51.0	166.7	1.05	2000	4000	3.5	85	29.0
R-GK9083-10AC61	21.6	69	20.6	65.8	166.7	1.05	2000	4000	4.5	85	36.1
R-GK9085-10AC61	26.4	84	25.2	80.2	166.7	1.05	2000	4000	5.5	85	43.3
R-GK9087-10AC61	29.6	94.5	28.2	90.0	166.7	1.05	2000	4000	6.2	85	50.5
R-GK9089-10AC61	33.6	107.1	32	102.0	166.7	1.05	2000	4000	7.0	85	57.6
R-GK9090-10AC61	8.8	31.8	7.6	27.5	166.7	1.16	2000	4000	1.8	85	31.4
R-GK9091-10AC61	15.4	55.8	13.4	48.6	166.7	1.15	2000	4000	3.2	85	47.0
R-GK9093-10AC61	23.9	85.2	20.8	74.1	166.7	1.15	2000	4000	5.0	85	72.9
R-GK9095-10AC61	28.7	105	25	91.5	166.7	1.15	2000	4000	6.0	85	93.6
R-GK9097-10AC61	39.2	144	34.1	125.3	166.7	1.15	2000	4000	8.2	85	129.9
R-GK9100-10AC61	14.4	45.9	13.9	44.3	166.7	1.04	2000	4000	3.0	85	72.1
R-GK9101-10AC61	21.6	69	20.9	66.8	166.7	1.03	2000	4000	4.5	85	88.2
R-GK9103-10AC61	28.8	91.8	27.9	88.9	166.7	1.03	2000	4000	6.0	85	112.3
R-GK9105-10AC61	36	114.6	34.8	110.8	166.7	1.03	2000	4000	7.5	85	168.6
R-GK9107-10AC61	44	140.1	42.6	135.6	166.7	1.03	2000	4000	9.2	85	200.7
R-GK9109-10AC61	56	178.5	54.2	172.8	166.7	1.03	2000	4000	11.7	85	249.1
R-GK91011-10AC61	72	229.5	69.7	222.2	166.7	1.03	2000	4000	15.1	85	313.3
R-GK9023-10AF61	0.64	1.92	0.8	2.4	250	0.80	3000	6000	0.20	40	0.26
R-GK9025-10AF61	1.27	3.81	1.6	4.8	250	0.79	3000	6000	0.40	40	0.45
R-GK9026-10AF61	1.6	4.8	2	6	250	0.80	3000	6000	0.50	40	0.58
R-GK9027-10AF61	1.91	5.73	2.4	7.2	250	0.80	3000	6000	0.60	40	0.64
R-GK9030-10AF61	1.27	3.81	1.8	5.4	250	0.71	3000	6000	0.40	45	0.74
R-GK9031-10AF61	2.4	7.2	3.4	10.2	250	0.71	3000	6000	0.75	45	1.29
R-GK9032-10AF61	3.2	9.6	4.5	13.5	250	0.71	3000	6000	1.0	45	1.66
R-GK9033-10AF61	4.8	14.4	6.8	20.4	250	0.71	3000	6000	1.5	45	2.4
R-GK9051-10AF61	2.4	9.6	2.9	11.6	250	0.83	3000	5000	0.75	68	2.8
R-GK9053-10AF61	3.8	14.7	4.7	18.2	250	0.81	3000	5000	1.2	68	4.3
R-GK9055-10AF61	4.8	19.2	5.9	23.6	250	0.81	3000	5000	1.5	68	5.4
R-GK9057-10AF61	6.4	24	7.9	29.6	250	0.81	3000	5000	2.0	68	6.9



登奇机电

电机型号	额定扭矩 M_N	最大扭矩 M_{max}	额定电流 I_N	最大电流 I_{max}	频率 f_n	转矩常数 K_t	额定转速 n_N	峰值转速 n_{max}	功率 P_N	电压常数 K_E	转动惯量 J
Type	(Nm)	(Nm)	(A)	(A)	(Hz)	(Nm/A)	(rpm)	(rpm)	(KW)	(V/krpm)	($10^{-4}kgm^2$)
R-GK9059-10AF61	8	28.8	9.8	35.3	250	0.82	3000	5000	2.5	68	8.4
R-GK9070-10AF61	2.4	14.4	2.6	15.6	250	0.92	3000	5000	0.75	68	5.8
R-GK9071-10AF61	3.2	19.2	3.5	21.0	250	0.91	3000	5000	1.0	68	6.9
R-GK9072-10AF61	4.8	28.8	5.2	31.2	250	0.92	3000	5000	1.5	68	10.1
R-GK9073-10AF61	6.4	38.1	7	41.7	250	0.91	3000	5000	2.0	68	13.4
R-GK9074-10AF61	8	47.7	8.6	51.3	250	0.93	3000	5000	2.5	68	16.6
R-GK9075-10AF61	9.6	57.3	10.4	62.1	250	0.92	3000	5000	3.0	68	19.8
R-GK9080-10AF61	11.2	40.8	12	43.7	250	0.93	3000	4500	3.5	75.6	21.8
R-GK9081-10AF61	14.7	53.6	15.8	57.6	250	0.93	3000	4500	4.6	75.6	29.0
R-GK9083-10AF61	18.9	69	20.3	74.1	250	0.93	3000	4500	5.9	75.6	36.1
R-GK9085-10AF61	23.1	84	24.8	90.2	250	0.93	3000	4500	7.3	75.6	43.3
R-GK9087-10AF61	25.9	94.5	27.8	101.4	250	0.93	3000	4500	8.1	75.6	50.5
R-GK9089-10AF61	29.4	107.1	31.5	114.8	250	0.93	3000	4500	9.2	75.6	57.6
R-GK9090-10AF61	8.8	31.8	8.6	31.1	250	1.02	3000	4500	2.8	75.6	31.4
R-GK9091-10AF61	15.4	55.8	14.9	54.0	250	1.03	3000	4500	4.8	75.6	47.0
R-GK9093-10AF61	23.8	85.2	23.2	83.1	250	1.03	3000	4500	7.5	75.6	72.9
R-GK9095-10AF61	28.7	105	27.9	102.1	250	1.03	3000	4500	9.0	75.6	93.6
R-GK9097-10AF61	39.2	144	38.2	140.3	250	1.03	3000	4500	12.3	75.6	129.9
R-GK9100-10AF61	12.6	45.9	13.7	49.9	250	0.92	3000	4500	4.0	75.6	72.1
R-GK9101-10AF61	18.9	69	20.5	74.8	250	0.92	3000	4500	5.9	75.6	88.2
R-GK9103-10AF61	25.2	91.8	27.3	99.5	250	0.92	3000	4500	7.9	75.6	112.3
R-GK9105-10AF61	31.5	114.6	34.2	124.4	250	0.92	3000	4500	9.9	75.6	168.6
R-GK9107-10AF61	38.5	140.1	41.7	151.7	250	0.92	3000	4500	12.1	75.6	200.7
R-GK9109-10AF61	49	178.5	53.2	193.8	250	0.92	3000	4500	15.4	75.6	249.1
R-GK91011-10AF61	63	229.5	68.3	248.8	250	0.92	3000	4500	19.8	75.6	313.3



标准技术数据（与 3 相 220V 输入驱动器匹配）

电机型号	额定扭矩 M_N	最大扭矩 M_{max}	额定电流 I_N	最大电流 I_{max}	频率 f_N	转矩常数 K_t	额定转速 n_N	峰值转速 n_{max}	功率 P_N	电压常数 K_e	转动惯量 J
Type	(Nm)	(Nm)	(A)	(A)	(Hz)	(Nm/A)	(rpm)	(rpm)	(KW)	(V/krpm)	(10^{-4} Kgm ²)
GK9051-10AB31	3.2	9.6	2.5	7.5	125	1.28	1500	1800	0.5	106.7	2.8
GK9053-10AB31	4.9	14.7	3.9	11.7	125	1.26	1500	1800	0.8	106.7	4.3
GK9055-10AB31	6.4	19.2	5.1	15.3	125	1.25	1500	1800	1.0	106.7	5.4
GK9057-10AB31	8	24	6.2	18.6	125	1.29	1500	1800	1.3	106.7	6.9
GK9059-10AB31	9.6	28.8	7.6	22.8	125	1.26	1500	1800	1.5	106.7	8.4
GK9070-10AB31	4.8	14.4	3.3	9.9	125	1.45	1500	1800	0.8	106.7	5.8
GK9071-10AB31	6.4	19.2	4.4	13.2	125	1.45	1500	1800	1.0	106.7	6.9
GK9072-10AB31	9.6	28.8	6.5	19.5	125	1.48	1500	1800	1.5	106.7	10.1
GK9073-10AB31	12.7	38.1	8.8	26.4	125	1.44	1500	1800	2.0	106.7	13.4
GK9074-10AB31	15.9	47.7	10.9	32.7	125	1.46	1500	1800	2.5	106.7	16.6
GK9075-10AB31	19.1	57.3	13.3	39.9	125	1.44	1500	1800	3.0	106.7	19.8
GK9091-10AB31	18.6	55.8	12.8	38.4	125	1.45	1500	1800	2.9	106.7	47.0
GK9093-10AB31	28.4	85.2	19.5	58.5	125	1.46	1500	1800	4.5	106.7	72.9
GK9095-10AB31	35	105	23.7	71.1	125	1.48	1500	1800	5.5	106.7	93.6
GK9097-10AB31	48	144	32.7	98.1	125	1.47	1500	1800	7.5	106.7	129.9
GK9100-10AB31	15.3	45.9	11.7	35.1	125	1.31	1500	1800	2.4	106.7	72.1
GK9101-10AB31	23	69	17.6	52.8	125	1.31	1500	1800	3.6	106.7	88.2
GK9103-10AB31	30.6	91.8	23.4	70.2	125	1.31	1500	1800	4.8	106.7	112.3
GK9105-10AB31	38.2	114.6	29.2	87.6	125	1.31	1500	1800	6.0	106.7	168.6
GK9107-10AB31	46.7	140.1	35.7	107.1	125	1.31	1500	1800	7.3	106.7	200.7
GK9109-10AB31	59.5	178.5	45.5	136.5	125	1.31	1500	1800	9.3	106.7	249.1
GK91011-10AB31	76.5	229.5	58.5	175.5	125	1.31	1500	1800	12.0	106.7	313.3
GK9051-10AC31	3	9.6	3.2	10.2	166.7	0.94	2000	2500	0.6	80	2.8
GK9053-10AC31	4.8	14.7	5.1	15.6	166.7	0.94	2000	2500	1.0	80	4.3
GK9055-10AC31	6	19.2	6.4	20.5	166.7	0.94	2000	2500	1.3	80	5.4
GK9057-10AC31	7.5	24	7.9	25.3	166.7	0.95	2000	2500	1.6	80	6.9
GK9059-10AC31	9	28.8	9.6	30.7	166.7	0.94	2000	2500	1.9	80	8.4
GK9070-10AC31	4.5	14.4	4.2	13.4	166.7	1.07	2000	2500	0.9	80	5.8
GK9071-10AC31	5.6	19.2	5.2	17.8	166.7	1.08	2000	2500	1.2	80	6.9
GK9072-10AC31	8.8	28.8	8	26.2	166.7	1.10	2000	2500	1.8	80	10.1
GK9073-10AC31	12	38.1	11.1	35.2	166.7	1.08	2000	2500	2.5	80	13.4
GK9074-10AC31	14.4	47.7	13.2	43.7	166.7	1.09	2000	2500	3.0	80	16.6
GK9075-10AC31	17.6	57.3	16	52.1	166.7	1.10	2000	2500	3.7	80	19.8
GK9080-10AC31	12.8	40.8	13	41.4	166.7	0.98	2000	2500	2.7	80	21.8
GK9081-10AC31	16.8	53.6	17	54.2	166.7	0.99	2000	2500	3.5	80	29.0
GK9083-10AC31	21.6	69	21.9	70.0	166.7	0.99	2000	2500	4.5	80	36.1



登奇机电

电机型号	额定扭矩 M_N	最大扭矩 M_{max}	额定电流 I_N	最大电流 I_{max}	频率 f_n	转矩常数 K_t	额定转速 n_n	峰值转速 n_{max}	功率 P_N	电压常数 K_E	转动惯量 J
Type	(Nm)	(Nm)	(A)	(A)	(Hz)	(Nm/A)	(rpm)	(rpm)	(KW)	(V/krpm)	($10^{-4}Kg\cdot m^2$)
GK9085-10AC31	26.4	84	26.7	85.0	166.7	0.99	2000	2500	5.5	80	43.3
GK9087-10AC31	29.6	94.5	30	95.8	166.7	0.99	2000	2500	6.2	80	50.5
GK9089-10AC31	33.6	107.1	34	108.4	166.7	0.99	2000	2500	7.0	80	57.6
GK9091-10AC31	17.6	55.8	16.1	51.0	166.7	1.09	2000	2500	3.7	80	47.0
GK9093-10AC31	27.2	85.2	24.9	78.0	166.7	1.09	2000	2500	5.7	80	72.9
GK9095-10AC31	32.8	105	30.2	96.7	166.7	1.09	2000	2500	6.9	80	93.6
GK9097-10AC31	44.8	144	41.1	132.1	166.7	1.09	2000	2500	9.4	80	129.9
GK9100-10AC31	14.4	45.9	14.8	47.2	166.7	0.97	2000	2500	3.0	80	72.1
GK9101-10AC31	21.6	69	22.2	70.9	166.7	0.97	2000	2500	4.5	80	88.2
GK9103-10AC31	28.8	91.8	29.6	94.4	166.7	0.97	2000	2500	6.0	80	112.3
GK9105-10AC31	36	114.6	37	117.8	166.7	0.97	2000	2500	7.5	80	168.6
GK9107-10AC31	44	140.1	45.2	143.9	166.7	0.97	2000	2500	9.2	80	200.7
GK9109-10AC31	56	178.5	57.5	183.3	166.7	0.97	2000	2500	11.7	80	249.1
GK91011-10AC31	72	229.5	74	235.9	166.7	0.97	2000	2500	15.1	80	313.3
GK9013-10AF31	0.16	0.48	0.78	2.34	250	0.21	3000	5000	0.05	13.3	0.03
GK9015-10AF31	0.32	0.96	1.03	3.09	250	0.31	3000	5000	0.10	20	0.062
GK9016-10AF31	0.48	1.44	1.55	4.65	250	0.31	3000	5000	0.15	20	0.097
GK9020-10AF31	0.32	0.96	0.8	2.4	250	0.40	3000	5000	0.10	20	0.14
GK9023-10AF31	0.64	1.92	1.6	4.8	250	0.40	3000	5000	0.20	20	0.26
GK9025-10AF31	1.27	3.81	2.2	6.6	250	0.58	3000	5000	0.40	30	0.45
GK9026-10AF31	1.6	4.8	2.7	8.1	250	0.59	3000	5000	0.50	30	0.58
GK9027-10AF31	1.91	5.73	3.3	9.9	250	0.58	3000	5000	0.60	30	0.64
GK9030-10AF31	1.27	3.81	1.8	5.4	250	0.71	3000	5000	0.40	45	0.74
GK9031-10AF31	2.4	7.2	3.4	10.2	250	0.71	3000	5000	0.75	45	1.29
GK9032-10AF31	3.2	9.6	4.5	13.5	250	0.71	3000	5000	1.0	45	1.66
GK9033-10AF31	4.8	14.4	6.8	20.4	250	0.71	3000	5000	1.5	45	2.4
GK9051-10AF31	2.4	9.6	3.7	14.8	250	0.65	3000	3600	0.75	53.3	2.8
GK9053-10AF31	3.8	14.7	5.9	22.8	250	0.64	3000	3600	1.2	53.3	4.3
GK9055-10AF31	4.8	19.2	7.6	30.4	250	0.63	3000	3600	1.5	53.3	5.4
GK9057-10AF31	6.4	24	10	37.5	250	0.64	3000	3600	2.0	53.3	6.9
GK9059-10AF31	8	28.8	12.5	45.0	250	0.64	3000	3600	2.5	53.3	8.4
GK9070-10AF31	2.4	14.4	3.3	19.8	250	0.73	3000	3600	0.75	53.3	5.8
GK9071-10AF31	3.2	19.2	4.4	26.4	250	0.73	3000	3600	1.0	53.3	6.9
GK9072-10AF31	4.8	28.8	6.6	39.6	250	0.73	3000	3600	1.5	53.3	10.1
GK9073-10AF31	6.4	38.1	8.8	52.4	250	0.73	3000	3600	2.0	53.3	13.4
GK9074-10AF31	8	47.7	11	65.6	250	0.73	3000	3600	2.5	53.3	16.6
GK9075-10AF31	9.6	57.3	13.2	78.8	250	0.73	3000	3600	3.0	53.3	19.8
GK9080-10AF31	11.2	40.8	17	61.9	250	0.66	3000	3600	3.5	53.3	21.8



登奇机电

电机型号	额定扭矩 M_N	最大扭矩 M_{max}	额定电流 I_N	最大电流 I_{max}	频率 f_n	转矩常数 K_t	额定转速 n_N	峰值转速 n_{max}	功率 P_N	电压常数 K_E	转动惯量 J
Type	(Nm)	(Nm)	(A)	(A)	(Hz)	(Nm/A)	(rpm)	(rpm)	(KW)	(V/krpm)	($10^{-4}Kg\cdot m^2$)
GK9081-10AF31	14.7	53.6	22.4	81.7	250	0.66	3000	3600	4.6	53.3	29.0
GK9083-10AF31	18.9	69	28.8	105.1	250	0.66	3000	3600	5.9	53.3	36.1
GK9085-10AF31	23.1	84	35.2	128.0	250	0.66	3000	3600	7.3	53.3	43.3
GK9087-10AF31	25.9	94.5	39.4	143.8	250	0.66	3000	3600	8.1	53.3	50.5
GK9089-10AF31	29.4	107.1	44.7	162.8	250	0.66	3000	3600	9.2	53.3	57.6
GK9091-10AF31	15.4	55.8	21	76.1	250	0.73	3000	3600	4.8	53.3	47.0
GK9093-10AF31	23.8	85.2	32.9	117.8	250	0.72	3000	3600	7.5	53.3	72.9
GK9095-10AF31	28.7	105	39.4	144.1	250	0.73	3000	3600	9.0	53.3	93.6
GK9097-10AF31	39.2	144	54.1	198.7	250	0.72	3000	3600	12.3	53.3	129.9
GK9100-10AF31	12.6	45.9	19.4	70.7	250	0.65	3000	3600	4.0	53.3	72.1
GK9101-10AF31	18.9	69	29.1	106.2	250	0.65	3000	3600	5.9	53.3	88.2
GK9103-10AF31	25.2	91.8	38.8	141.3	250	0.65	3000	3600	7.9	53.3	112.3
GK9105-10AF31	31.5	114.6	48.5	176.4	250	0.65	3000	3600	9.9	53.3	168.6
GK9107-10AF31	38.5	140.1	59.3	215.8	250	0.65	3000	3600	12.1	53.3	200.7
GK9109-10AF31	49	178.5	75.4	274.7	250	0.65	3000	3600	15.4	53.3	249.1
GK91011-10AF31	63	229.5	97	353.4	250	0.65	3000	3600	19.8	53.3	313.3



标准技术数据（与 3 相 380V 输入驱动器匹配）

电机型号	额定扭矩 M_N	最大扭矩 M_{max}	额定电流 I_N	最大电流 I_{max}	频率 f_n	转矩常数 K_t	额定转速 n_n	峰值转速 n_{max}	功率 P_N	电压常数 K_E	转动惯量 J
Type	(Nm)	(Nm)	(A)	(A)	(Hz)	(Nm/A)	(rpm)	(rpm)	(KW)	(V/krpm)	(10^{-4} Kgm ²)
GK9051-10AB61	3.2	9.6	1.32	4	125	2.42	1500	1800	0.50	204	2.8
GK9053-10AB61	4.9	14.7	2	6	125	2.45	1500	1800	0.77	204	4.3
GK9055-10AB61	6.4	19.2	2.65	8	125	2.42	1500	1800	1.0	204	5.4
GK9057-10AB61	8	24	3.3	9.9	125	2.42	1500	1800	1.3	204	6.9
GK9059-10AB61	9.6	28.8	4	12	125	2.40	1500	1800	1.5	204	8.4
GK9070-10AB61	4.8	14.4	1.72	5.16	125	2.79	1500	1800	0.75	204	5.8
GK9071-10AB61	6.4	19.2	2.3	6.9	125	2.78	1500	1800	1.0	204	6.9
GK9072-10AB61	9.6	28.8	3.4	10.2	125	2.82	1500	1800	1.5	204	10.1
GK9073-10AB61	12.7	38.1	4.6	13.8	125	2.76	1500	1800	2.0	204	13.4
GK9074-10AB61	15.9	47.7	5.72	17.16	125	2.78	1500	1800	2.5	204	16.6
GK9075-10AB61	19.1	57.3	6.94	20.82	125	2.75	1500	1800	3.0	204	19.8
GK9091-10AB61	18.6	55.8	6.7	20.1	125	2.78	1500	1800	2.9	204	47.0
GK9093-10AB61	28.4	85.2	10.2	30.6	125	2.78	1500	1800	4.5	204	72.9
GK9095-10AB61	35	105	12.4	37.2	125	2.82	1500	1800	5.5	204	93.6
GK9097-10AB61	48	144	17.1	51.3	125	2.81	1500	1800	7.5	204	129.9
GK9100-10AB61	15.3	45.9	6.1	18.3	125	2.51	1500	1800	2.4	204	72.1
GK9101-10AB61	23	69	9.2	27.6	125	2.50	1500	1800	3.6	204	88.2
GK9103-10AB61	30.6	91.8	12.3	36.9	125	2.49	1500	1800	4.8	204	112.3
GK9105-10AB61	38.2	114.6	15.3	45.9	125	2.50	1500	1800	6.0	204	168.6
GK9107-10AB61	46.7	140.1	18.7	56.1	125	2.50	1500	1800	7.3	204	200.7
GK9109-10AB61	59.5	178.5	23.8	71.4	125	2.50	1500	1800	9.3	204	249.1
GK91011-10AB61	76.5	229.5	30.6	91.8	125	2.50	1500	1800	12.0	204	313.3
GK9051-10AC61	3	9.6	1.67	5.3	166.7	1.80	2000	2500	0.63	153	2.8
GK9053-10AC61	4.8	14.7	2.65	8.1	166.7	1.81	2000	2500	1.0	153	4.3
GK9055-10AC61	6	19.2	3.35	10.7	166.7	1.79	2000	2500	1.3	153	5.4
GK9057-10AC61	7.5	24	4.2	13.4	166.7	1.79	2000	2500	1.6	153	6.9
GK9059-10AC61	9	28.8	5	16.0	166.7	1.80	2000	2500	1.9	153	8.4
GK9070-10AC61	4.5	14.4	2.2	7.0	166.7	2.05	2000	2500	0.94	153	5.8
GK9071-10AC61	5.6	19.2	2.7	9.3	166.7	2.07	2000	2500	1.2	153	6.9
GK9072-10AC61	8.8	28.8	4.2	13.7	166.7	2.10	2000	2500	1.8	153	10.1
GK9073-10AC61	12	38.1	5.8	18.4	166.7	2.07	2000	2500	2.5	153	13.4
GK9074-10AC61	14.4	47.7	6.9	22.9	166.7	2.09	2000	2500	3.0	153	16.6
GK9075-10AC61	17.6	57.3	8.4	27.3	166.7	2.10	2000	2500	3.7	153	19.8
GK9080-10AC61	12.8	40.8	6.8	21.7	166.7	1.88	2000	2500	2.7	153	21.8
GK9081-10AC61	16.8	53.6	8.9	28.4	166.7	1.89	2000	2500	3.5	153	29.0
GK9083-10AC61	21.6	69	11.4	36.4	166.7	1.89	2000	2500	4.5	153	36.1



登奇机电

电机型号	额定扭矩 M_N	最大扭矩 M_{max}	额定电流 I_N	最大电流 I_{max}	频率 f_n	转矩常数 K_t	额定转速 n_N	峰值转速 n_{max}	功率 P_N	电压常数 K_E	转动惯量 J
Type	(Nm)	(Nm)	(A)	(A)	(Hz)	(Nm/A)	(rpm)	(rpm)	(KW)	(V/krpm)	(10^{-4}kgm^2)
GK9085-10AC61	26.4	84	14	44.5	166.7	1.89	2000	2500	5.5	153	43.3
GK9087-10AC61	29.6	94.5	15.7	50.1	166.7	1.89	2000	2500	6.2	153	50.5
GK9089-10AC61	33.6	107.1	17.8	56.7	166.7	1.89	2000	2500	7.0	153	57.6
GK9091-10AC61	17.6	55.8	8.4	26.6	166.7	2.10	2000	2500	3.7	153	47.0
GK9093-10AC61	27.2	85.2	13	40.7	166.7	2.09	2000	2500	5.7	153	72.9
GK9095-10AC61	32.8	105	15.8	50.6	166.7	2.08	2000	2500	6.9	153	93.6
GK9097-10AC61	44.8	144	21.5	69.1	166.7	2.08	2000	2500	9.4	153	129.9
GK9100-10AC61	14.4	45.9	7.7	24.5	166.7	1.87	2000	2500	3.0	153	72.1
GK9101-10AC61	21.6	69	11.6	37.1	166.7	1.86	2000	2500	4.5	153	88.2
GK9103-10AC61	28.8	91.8	15.5	49.4	166.7	1.86	2000	2500	6.0	153	112.3
GK9105-10AC61	36	114.6	19.3	61.4	166.7	1.87	2000	2500	7.5	153	168.6
GK9107-10AC61	44	140.1	23.6	75.1	166.7	1.86	2000	2500	9.2	153	200.7
GK9109-10AC61	56	178.5	30	95.6	166.7	1.87	2000	2500	11.7	153	249.1
GK91011-10AC61	72	229.5	38.7	123.4	166.7	1.86	2000	2500	15.1	153	313.3
GK9020-10AF61	0.32	0.96	0.4	1.2	250	0.8	3000	5000	0.10	40	0.14
GK9023-10AF61	0.64	1.92	0.53	1.59	250	1.21	3000	5000	0.20	60	0.26
GK9025-10AF61	1.27	3.81	1.07	3.21	250	1.19	3000	5000	0.40	60	0.45
GK9026-10AF61	1.6	4.8	1.33	3.99	250	1.20	3000	5000	0.50	60	0.58
GK9027-10AF61	1.91	5.73	1.6	4.8	250	1.19	3000	5000	0.60	60	0.64
GK9030-10AF61	1.27	3.81	1.25	3.75	250	1.02	3000	5000	0.40	65	0.74
GK9031-10AF61	2.4	7.2	2.35	7.05	250	1.02	3000	5000	0.75	65	1.29
GK9032-10AF61	3.2	9.6	3.1	9.3	250	1.03	3000	5000	1.0	65	1.66
GK9033-10AF61	4.8	14.4	4.7	14.1	250	1.02	3000	5000	1.5	65	2.4
GK9051-10AF61	2.4	9.6	1.94	7.8	250	1.24	3000	3600	0.75	102	2.8
GK9053-10AF61	3.8	14.7	3.1	12.0	250	1.23	3000	3600	1.2	102	4.3
GK9055-10AF61	4.8	19.2	4	16.0	250	1.20	3000	3600	1.5	102	5.4
GK9057-10AF61	6.4	24	5.2	19.5	250	1.23	3000	3600	2.0	102	6.9
GK9059-10AF61	8	28.8	6.5	23.4	250	1.23	3000	3600	2.5	102	8.4
GK9070-10AF61	3.8	14.4	2.8	10.6	250	1.36	3000	3600	1.2	102	5.8
GK9071-10AF61	4.8	19.2	3.5	14.0	250	1.37	3000	3600	1.5	102	6.9
GK9072-10AF61	8	28.8	5.9	21.2	250	1.36	3000	3600	2.5	102	10.1
GK9073-10AF61	11	38.1	8	27.7	250	1.38	3000	3600	3.5	102	13.4
GK9074-10AF61	12	47.7	8.8	35.0	250	1.36	3000	3600	3.8	102	16.6
GK9075-10AF61	14.3	57.3	10.4	41.7	250	1.38	3000	3600	4.5	102	19.8
GK9080-10AF61	11.2	40.8	8.9	32.4	250	1.26	3000	3600	3.5	102	21.8
GK9081-10AF61	14.7	53.6	11.7	42.7	250	1.26	3000	3600	4.6	102	29.0
GK9083-10AF61	18.9	69	15	54.8	250	1.26	3000	3600	5.9	102	36.1
GK9085-10AF61	23.1	84	18.4	66.9	250	1.26	3000	3600	7.3	102	43.3
GK9087-10AF61	25.9	94.5	20.6	75.2	250	1.26	3000	3600	8.1	102	50.5



登奇机电

电机型号	额定扭矩 M_N	最大扭矩 M_{max}	额定电流 I_N	最大电流 I_{max}	频率 f_n	转矩常数 K_t	额定转速 n_N	峰值转速 n_{max}	功率 P_N	电压常数 K_E	转动惯量 J
Type	(Nm)	(Nm)	(A)	(A)	(Hz)	(Nm/A)	(rpm)	(rpm)	(KW)	(V/krpm)	($10^{-4}kgm^2$)
GK9089-10AF61	29.4	107.1	23.4	85.2	250	1.26	3000	3600	9.2	102	57.6
GK9091-10AF61	15.4	55.8	11	39.9	250	1.40	3000	3600	4.8	102	47.0
GK9093-10AF61	23.8	85.2	17.2	61.6	250	1.38	3000	3600	7.5	102	72.9
GK9095-10AF61	28.7	105	20.6	75.4	250	1.39	3000	3600	9.0	102	93.6
GK9097-10AF61	39.2	144	28.3	104.0	250	1.39	3000	3600	12.3	102	129.9
GK9100-10AF61	12.6	45.9	10.1	36.8	250	1.25	3000	3600	4.0	102	72.1
GK9101-10AF61	18.9	69	15.2	55.5	250	1.24	3000	3600	5.9	102	88.2
GK9103-10AF61	25.2	91.8	20.3	74.0	250	1.24	3000	3600	7.9	102	112.3
GK9105-10AF61	31.5	114.6	25.4	92.4	250	1.24	3000	3600	9.9	102	168.6
GK9107-10AF61	38.5	140.1	31	112.8	250	1.24	3000	3600	12.1	102	200.7
GK9109-10AF61	49	178.5	39.5	143.9	250	1.24	3000	3600	15.4	102	249.1
GK91011-10AF61	63	229.5	50.7	184.7	250	1.24	3000	3600	19.8	102	313.3